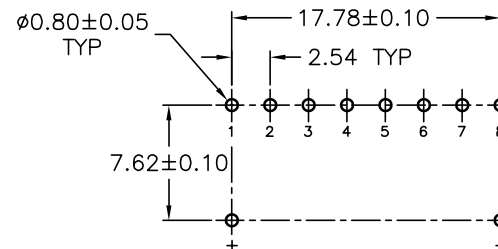
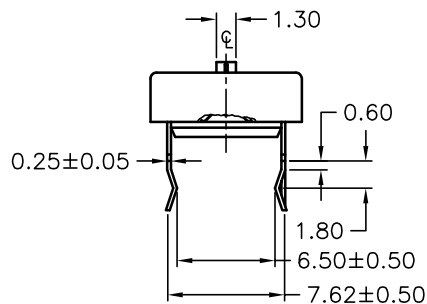
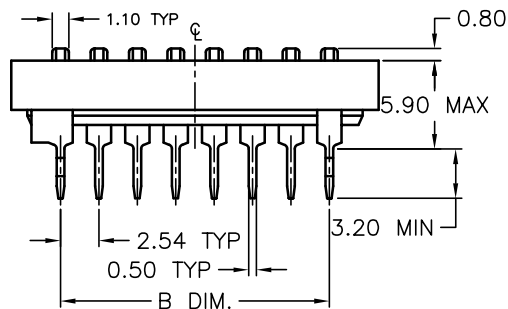
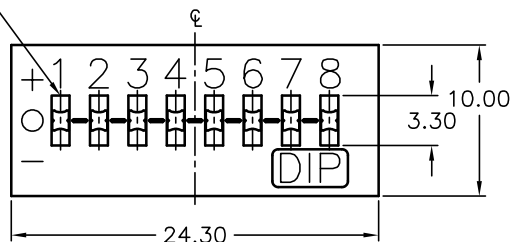
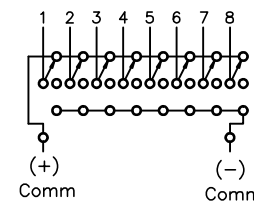


POS. 1 DESIGNATE  
PIN #1 LOCATION



RECOMMENDED PCB LAYOUT



CONTACT CONFIGURATION  
POS. 1 DENOTES PIN #1

NOTES:

1. ALL DIMENSIONS IN MM
2. GENERAL TOLERANCE: 0.0±0.4  
0.00±0.25
3. TERM. NOS. FOR REF. ONLY
4. SWITCHES SUPPLIED IN DESPENSING TUBES  
PACKAGE WITH ALL POLES IN  
THE "OFF" POSITION- 19 SWITCHES/TUBE
5. CONTACT RATING: 25mA @24V DC
6. OPERATING LIFE: 2,000 make-and-break cycles
7. OPERATING FORCE: 1000gf max.
8. TRAVEL: 2.0mm typical
9. DIELECTRIC STRENGTH: 500V RMS min @seal level  
between adj. term.
10. TEMP. RANGE: -40C to 85C

**E-SWITCH®**

|       |     |      |         |    |  |     |         |     |   |
|-------|-----|------|---------|----|--|-----|---------|-----|---|
| TITLE |     |      |         |    | KAT1108E (8 Pos. DIP Switch)<br>Package in Tubes |     |         |     |   |
| SCALE | 3:1 | DATE | 6/27/00 | DR | MM   | DWG | N711080 | REV | B |

|      |         |                         |         |      |
|------|---------|-------------------------|---------|------|
| B    | 13577   | REMOVE TABLE            | 11/5/03 | AR   |
| A    | 10710   | RELEASED FOR PRODUCTION | 6/27/00 | MM   |
| REV. | ECN No. | DESCRIPTION             | DATE    | CHKD |

THE INFORMATION CONTAINED IN THIS DOCUMENT  
IS PROPRIETARY TO E-SWITCH AND IS  
NOT TO BE COPIED OR TRANSFERRED