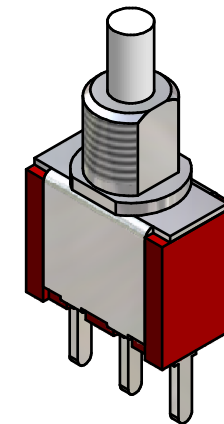
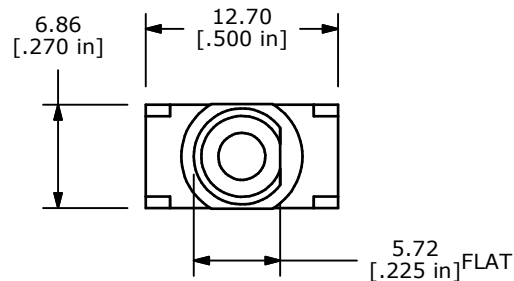
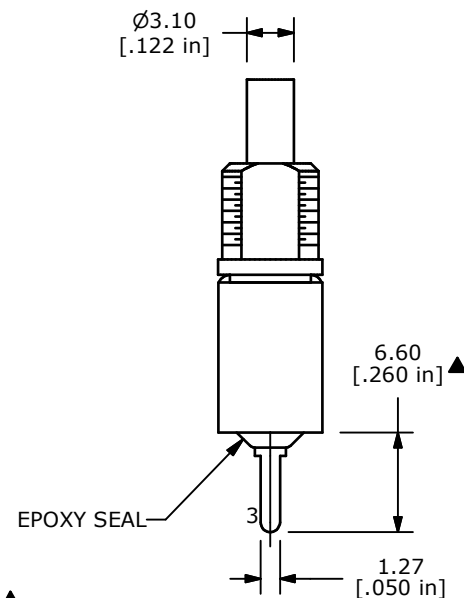
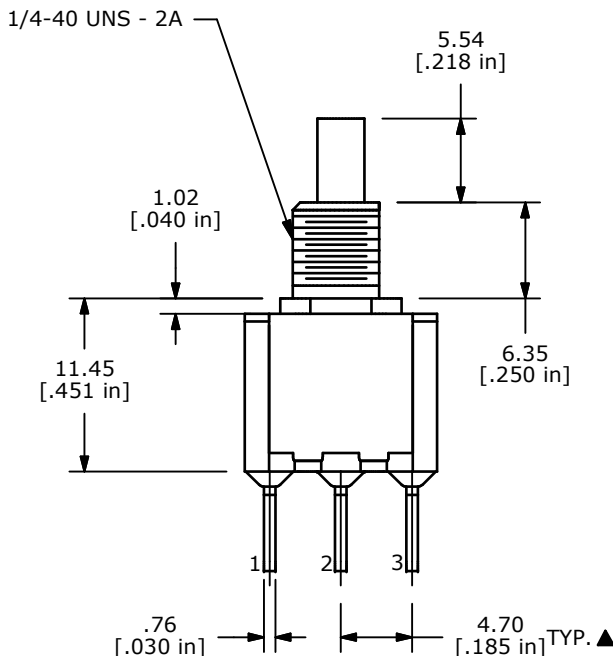
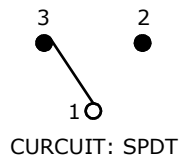


PANEL MOUNTING



ISOMETRIC

SWITCH FUNCTION	
POS. 1	POS. 2
ON	(ON)
1-3	1-2
(ON)=MOMENTARY	



- NOTE:
- ALL DIMENSIONS IN MM [INCH]
 - GENERAL TOLERANCE: X.X=±0.4
X.XX=±0.25
 - TERMINAL NUMBERS FOR REF ONLY
 - CONTACT MATERIAL: GOLD
 - ▲5. RATING: 0.4VA MAX. @ 20 VAC OR VDC MAX.
 - ELECTRIC LIFE: 50,000 MAKE-AND-BREAK CYCLES AT FULL LOAD
 - INSULATION RESISTANCE: 1,000 MEGA-OHM MIN.
 - DIELECTRIC STRENGTH: 1,000 V RMS @ SEA LEVEL.
 - OPERATING TEMP.: -30°C to 85°C
 - OPERATING FORCE: 200 ± 50gf
 - ▲ DENOTES CRITICAL PARAMETER.
 - 2002/95/EC (ROHS) COMPLIANT.
 - ▲13. HARDWARE TO BE SHIPPED BULK
T100011 - LOCK WASHER (1)
T100002 - LOCK RING (1)
T100000 - HEX NUT (2)



TITLE 700SP7B11M2REH				
SCALE 2:1	DATE 9/20/2007	DR BF	DWG ST711039	REV A

A	17698	RELEASED FOR PRODUCTION	9/20/07	BF
REV	PCR NO	DESCRIPTION	DATE	BY

THE INFORMATION CONTAINED IN THIS DOCUMENT IS PROPRIETARY TO E-SWITCH AND IS NOT TO BE COPIED OR TRANSFERRED